

How Computers Work

Lecture 8

Asynchronous State Machines and Metastability

How Computers Work Lecture 8 Page 1

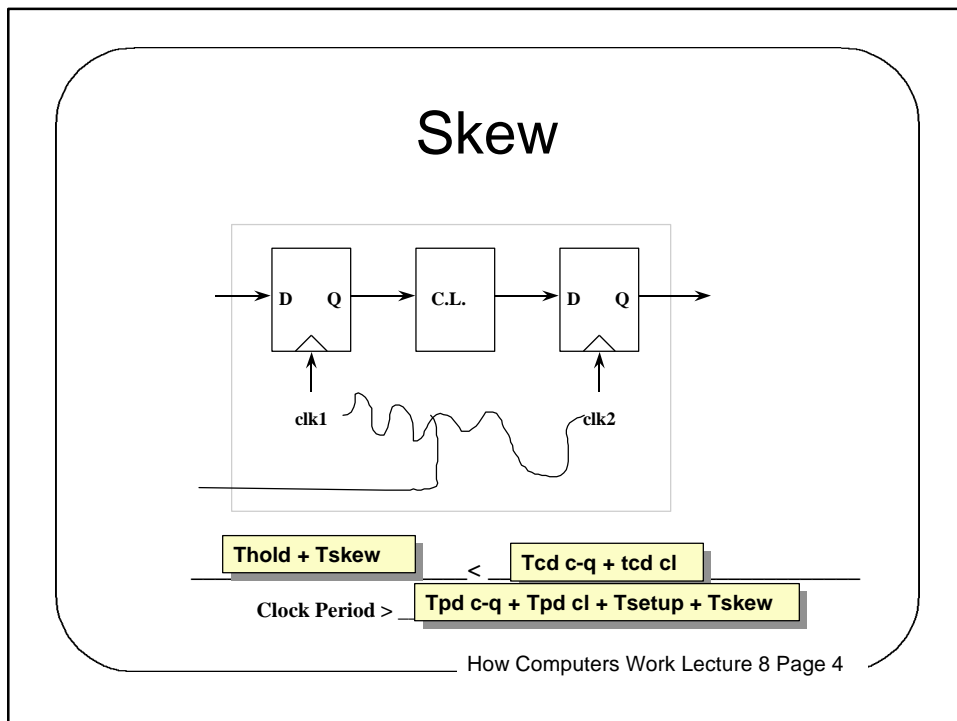
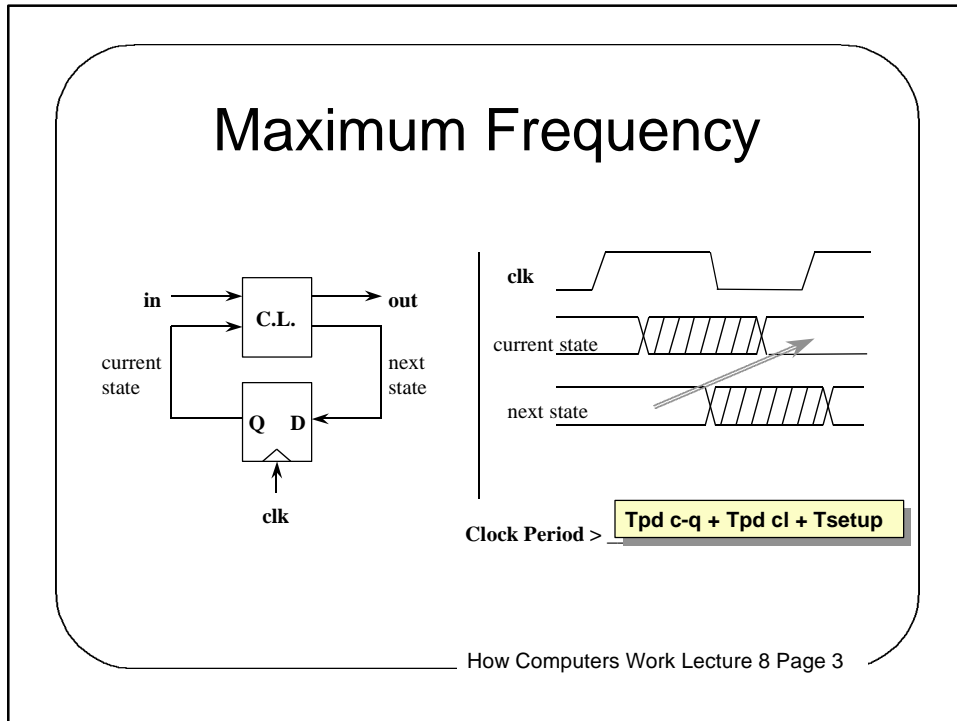
Review: Edge-Triggered Timing Constraints

- Edge Triggered Flip-Flop

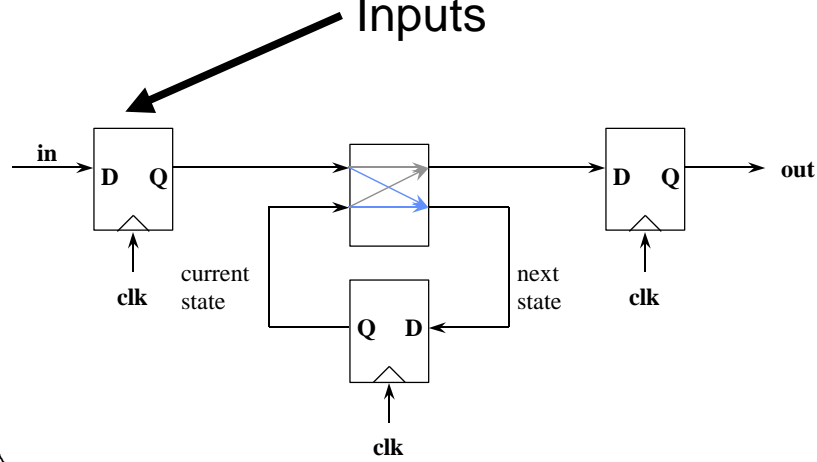
$Tcd_{C-Q} < t_{13}$ $Tcd_{C.L.} < t_{35}$
 $Tpd_{C-Q} > t_{14}$ $Tpd_{C.L.} > t_{46}$

Thold < $Tcd_{C-Q} + Tcd_{C.L.}$

How Computers Work Lecture 8 Page 2

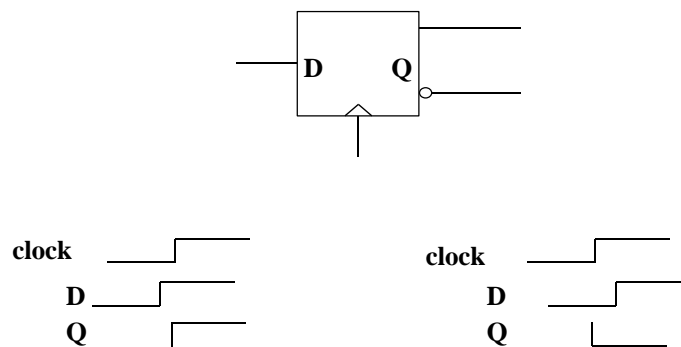


What we will cover today: The Trouble with Asynchronous Inputs



How Computers Work Lecture 8 Page 5

A Synchronizer as Arbiter



How Computers Work Lecture 8 Page 6

What Happens Now?

CLOCK _____

Ts

Th

D _____

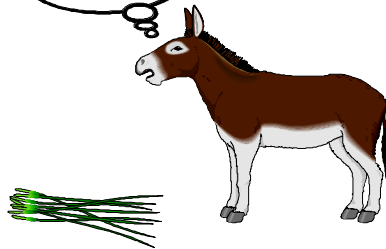
Flip-Flop Specification Says: _____

Nothing

How Computers Work Lecture 8 Page 7

Buridan's Ass

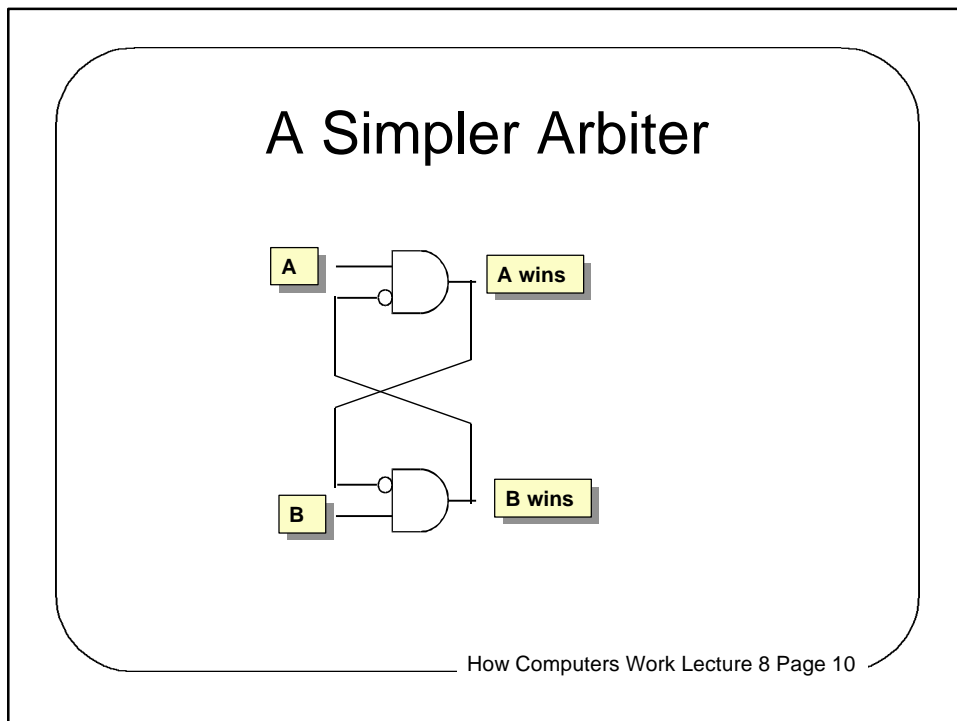
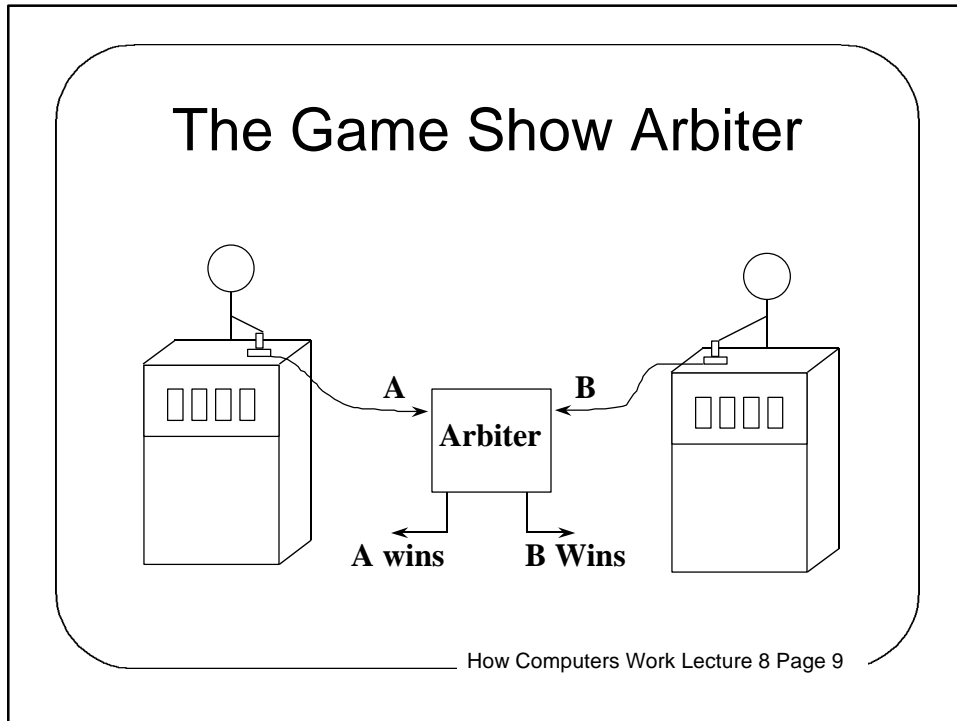
Didn't I learn about
this is 6.004?



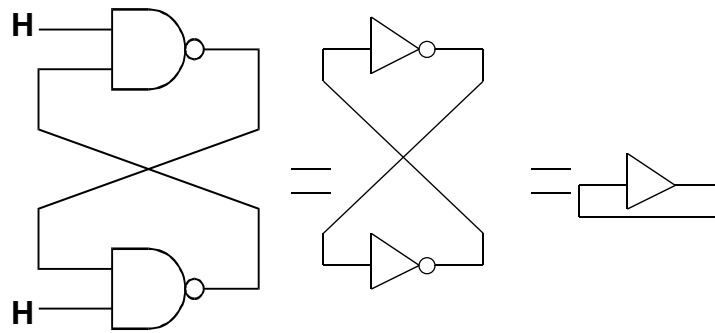
Buridan, Jean

Buridan, Jean (1300-58), French Scholastic philosopher, who held a theory of determinism, contending that the will must choose the greater good. Born in Bethune, he was educated at the University of Paris, where he studied with the English Scholastic philosopher William of Ockham. After his studies were completed, he was appointed professor of philosophy, and later rector, at the same university. Buridan is traditionally but probably incorrectly associated with a philosophical dilemma of moral choice called "Buridan's ass." In the problem an ass starves to death between two alluring bundles of hay because it does not have the will to decide which one to eat.

How Computers Work Lecture 8 Page 8

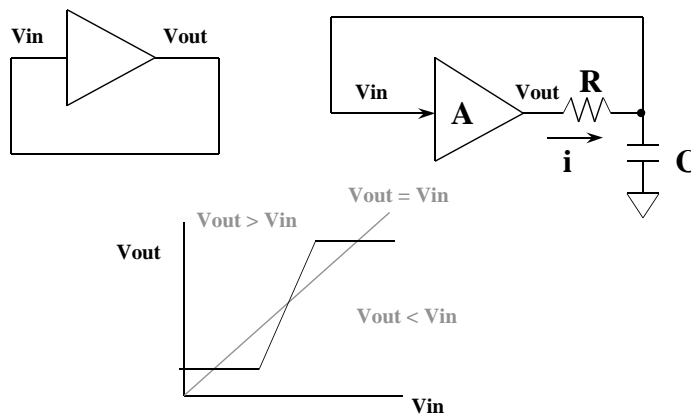


With Both Inputs High



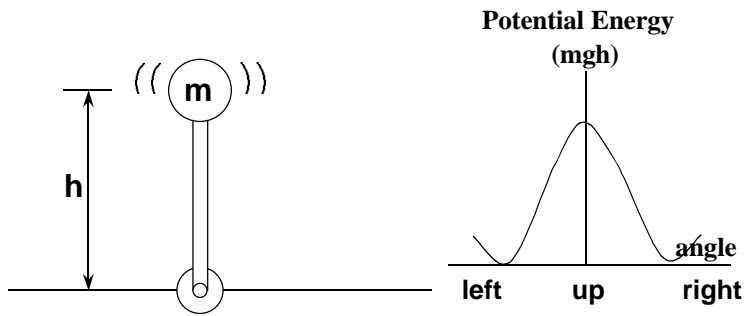
How Computers Work Lecture 8 Page 11

Static Metastability



How Computers Work Lecture 8 Page 12

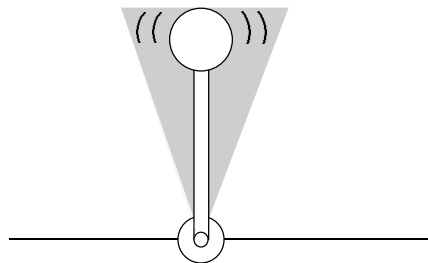
Static Metastability: Inverted Pendulum Analogy



How Computers Work Lecture 8 Page 13

What does Heisenberg Say ?

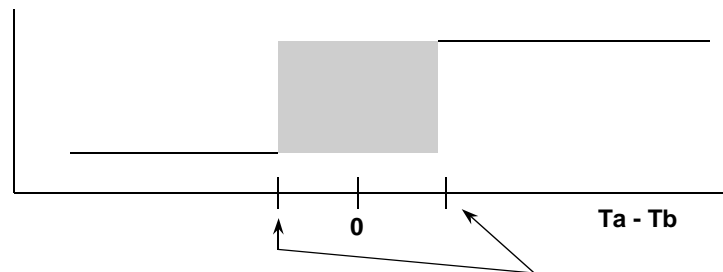
$$\Delta x \Delta p > h$$



How Computers Work Lecture 8 Page 14

What if we relax accuracy?

Who Won



Arbiter output perfectly correct if $|T_a - T_b| > T_{margin}$
 if $|T_a - T_b| \leq T_{margin}$, output can be RANDOM

How Computers Work Lecture 8 Page 15

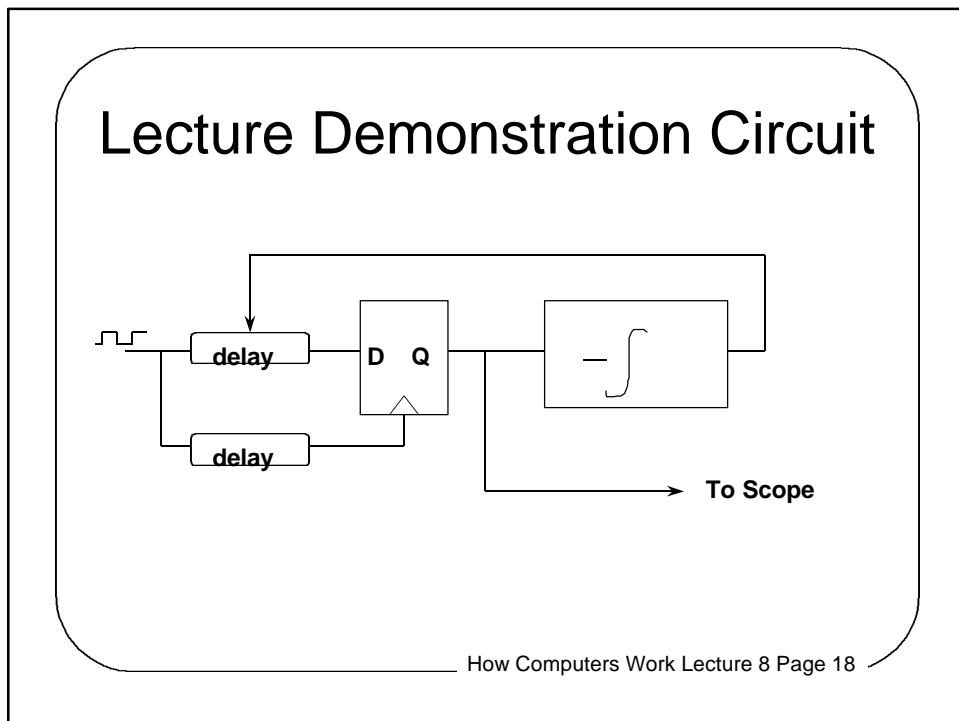
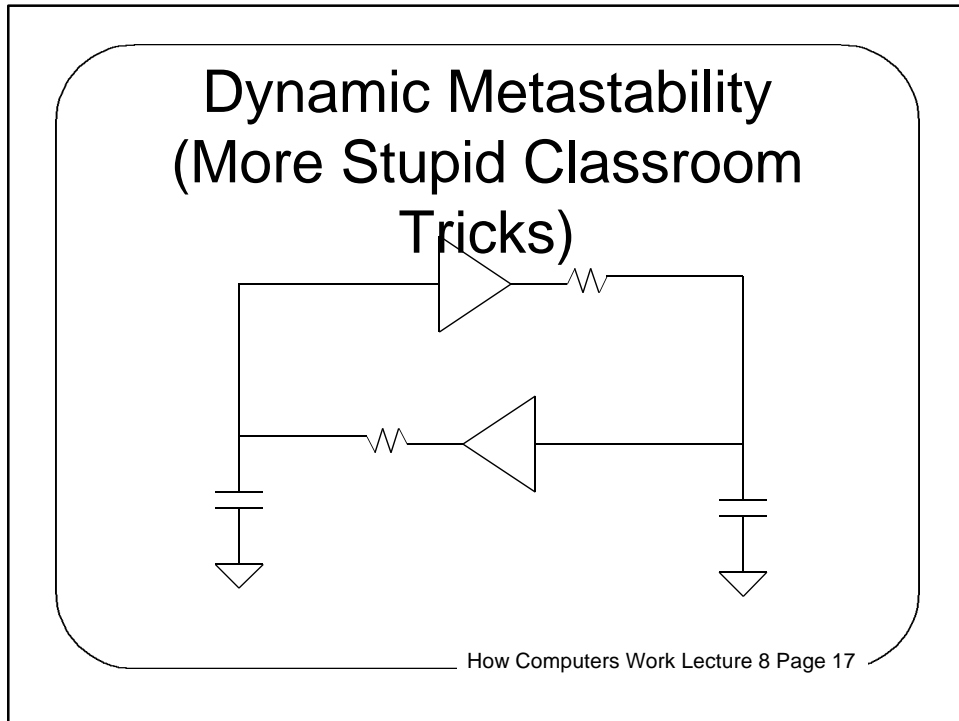
The Remarkable Fact

The perfect arbiter:

T_{margin} and T_{pd} finite and constant
 Correct Output if $|T_a - T_b| > T_{margin}$
 Any Output if $|T_a - T_b| \leq T_{margin}$
 Answer valid and stable after T_{pd}

IT IS IMPOSSIBLE TO BUILD !!!!!

How Computers Work Lecture 8 Page 16



Is It Possible to Build This?

The Asynchronous Arbitrer:

Answer:

How Computers Work Lecture 8 Page 19

Practical Metastability

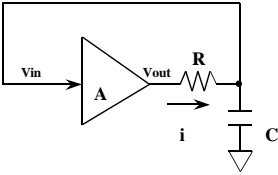
Async. Inputs

Clock

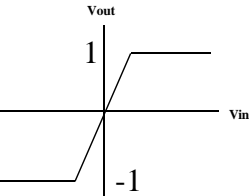
FSM

How Computers Work Lecture 8 Page 20

A Simple Model of Static Metastability

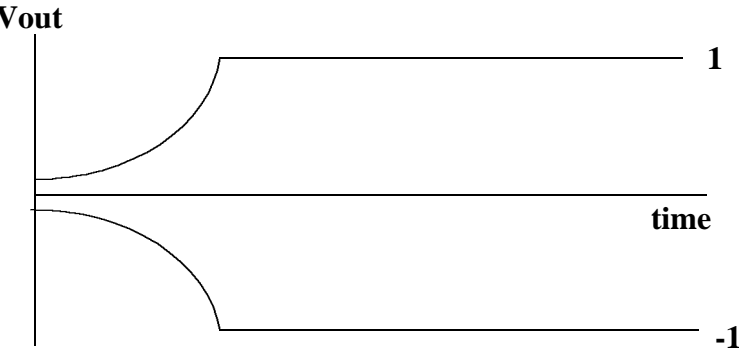


Assume $V_{out} = A V_{in}$ (i.e. not saturated)

$$i = \frac{(A - 1) V_{in}}{R}$$

$$V_{in}(t) = E^{t(A-1)/(RC)}$$

How Computers Work Lecture 8 Page 21

Evolution of Vout



How Computers Work Lecture 8 Page 22

How Small must $V_{in}(0)$ be to make time to saturation take longer than time t ?

$$V_{in}(t) = V_{in}(0)e^{t/\tau} = \frac{1}{A}$$

$$V_{in}(0) = \frac{1}{A e^{t/\tau}} = e^{-t/\tau} / A$$

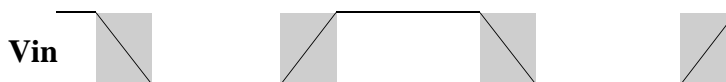
How Computers Work Lecture 8 Page 23

If $V_{in}(0)$ is uniformly distributed:



$$P_{\text{metastable}}(t) = \frac{1}{A e^{t/\tau}} = e^{-t/\tau} / A$$

But if V_{in} is in linear rise/fall a certain fraction ($p_{\text{transition}}$) of the time:



$$P_{\text{metastable}}(t) = \frac{p_{\text{transition}}}{A e^{t/\tau}} = (p_{\text{transition}} / A) e^{-t/\tau}$$

How Computers Work Lecture 8 Page 24

How much time do we need
to achieve a certain $P_{\text{metastable}}$?

$$P_{\text{metastable}}(t) = \frac{P_{\text{transition}}}{A} e^{-t/\tau}$$

$$e^{t/\tau} = \frac{P_{\text{transition}}}{A \times P_{\text{metastable}}(t)}$$

$$t = \tau \ln\left(\frac{P_{\text{transition}}}{A \times P_{\text{metastable}}(t)}\right)$$

How Computers Work Lecture 8 Page 25

Example:

How Long for 1 failure / year?

100 MHz Clock ($\tau = 10 \text{ ns}$)

$P_{\text{transition}} = 0.1$

$A = 10$

$\tau = 1 \text{ ns}$

$P_{\text{metastable}} = 1 / (100\text{MHz} \cdot 1 \text{ year})$

$$= 1 / (10^8 \times \pi \times 10^7) = \pi \times 10^{-16}$$

$$P_{\text{metastable}} = \frac{P_{\text{transition}}}{A} e^{-t/\tau}$$

$$t = \tau \ln\left(\frac{P_{\text{transition}}}{A \times P_{\text{metastable}}}\right)$$

$$t = 10^{-9} \ln(0.1 / (10 \times \pi \times 10^{-16})) = \text{about } 31 \text{ ns}$$

How about 10 years instead of 1?

$$t = (10^{-9}) \ln(\pi \times 10^{-15}) = 33 \text{ ns}$$

How Computers Work Lecture 8 Page 26

How often will failures occur if we wait 100 ns?

$$P_{metstable}(t) = \frac{P_{transition}}{A} e^{-t/\tau}$$

$$= \frac{0.1}{10} e^{-100} = 10^{-2} \times 10^{\frac{-100}{\ln(10)}}$$

$$\approx 10^{-45.4}$$

At 100 MHz, this is about 1 failure every 10^{30} YEARS!

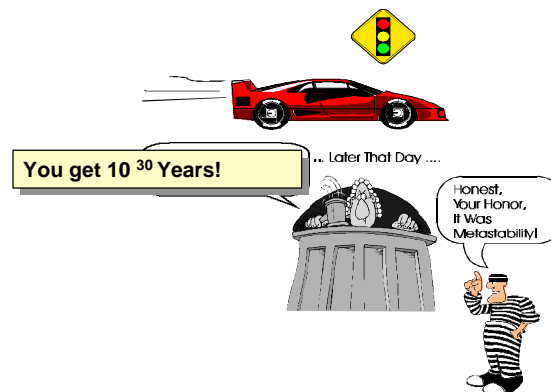
Age of Hominids: 10^7

Age of Earth: 10^9

Age of Universe: 10^{10}

How Computers Work Lecture 8 Page 27

Is this a Good Excuse
For Cruising a Light?



How Computers Work Lecture 8 Page 28

What did we Learn Today?

- If we violate setup or hold times, a flip-flop can give a random digital output.
- If we violate setup or hold times, we can't bound the propagation delay of a flip-flop.
- Metastability usually causes strange outputs, but flip-flops are sold that have valid, stable, outputs while internal nodes are metastable. They can still change their minds when coming out of metastability.
- In practice, we can choose a propagation time that will have a forever stable output "most" of the time.
- If we wait long enough (typ. 10-100 ns) "most of the time" is almost all of the time.
- We can easily detect when settling happens, but we can't say how long it will take.

How Computers Work Lecture 8 Page 29